

# DHI-ASI3103F-MEPW

Dahua QR Code, Face Recognition, Card Swiping, Remote Face Recognition Access Controller



## Technical Specification

### System

Main Processor	Embedded Processor
Network Protocol	IPv4;RTSP;UDP;P2P;IPv6;RTP;TCP;SIP
OSDP Protocol	Yes
SDK and API	Yes

### Basic

Product Type	Standalone
Camera	2 MP CMOS HD dual-lens camera
WDR	DWDR
Light Compensation	Auto IR
Voice Prompt	Yes
Speaker	Yes
Casing Material	PC+ABS

### Function

Verification Method	Card;Remote;QR Code;Face Recognition;Bluetooth
Frequency Range	2400 - 2483.5 MHz
Max. Transmission Power	≤20dBm@2400-2483.5MHz
Period List	128
Holiday Period	128
Network Update	Yes
First User Unlock	Yes
Remote Verification	Yes
Restricted List/Trusted List	Yes
Bluetooth	Yes

- Includes a 2-megapixel CMOS dual-lens camera that supports IR illumination and WDR.
- Unlocks through face, IC and ID cards and QR code. You can also combine these methods to create your own personal unlock methods, and unlock based on periods.
- Supports 10,000 users, 10,000 faces, 10,000 cards, 10,000 Bluetooth cards, and 300,000 logs.
- Recognizes faces 0.3 m to 1.5 m away with 99.9% accuracy at a 1:N matching speed of 0.2 seconds per person.
- Offers mask detection.
- Supports visitor QR codes and the doorbell function.
- Features visitor call and supports remote operation through the companion app.
- Network connectivity through TCP/IP and Wi-Fi.
- Supports PoE power supply.
- IP65-rated protection.
- Includes a power supply that provides up to 12 V /1A, and PoE power supply up to 12 V/0.5 A for electromagnetic locks and card readers.
- Supports breathing LED and tri-color status indicators.
- Supports connecting to DSS Pro, SmartPSS Lite and DMSS.

Bluetooth Standard	BLE (Bluetooth Mode) BLE5.2 (Bluetooth Version)
Peripheral Card Reader	1 × RS-485 port and 1 × Wiegand port
Multi-user Authentication	Yes
Real-time Monitoring	Yes
Multi-factor Authentication	Yes
Capture Function	Yes
Web Configuration	Yes
Auto Registration	Yes

### RFID

Card Type	IC card;ID card;Desfire card (EV3,Compatible with Dahua card by default)
Modulation Type	ASK
Frequency Range	IC: 13.56 MHz; ID:125 kHz
Max. Transmission Power	IC: 42dBuA/m @10 m; ID: 66dBuA/m @10m

### Network

Max. Transmission Power	≤20dBm@2400-2483.5 MHz
Wi-Fi	Yes
Wireless Standard	IEEE802.11b/802.11g/802.11n

# DHI-ASI3103F-MEPW

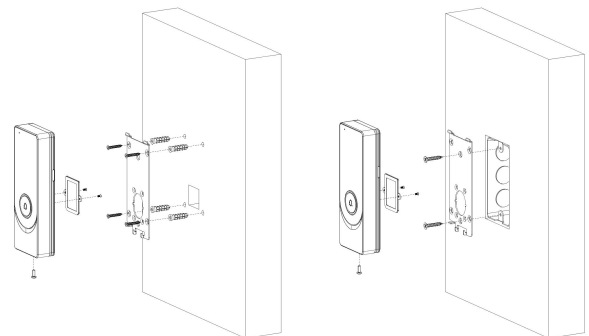
Wireless Frequency Range	2.4 GHz
<b>Performance</b>	
Card Reading Distance	2 cm- 3 cm (0.79"-1.18")
Face Recognition Height Range	0.9 m- 2.4 m (35.43" - 94.49")
Face Recognition Distance	0.3 m- 1.5 m (11.81" - 59.06")
Face Recognition Accuracy	99.90%
Face Recognition Time	0.2 s
<b>User</b>	
User (Card) Type	General user, guest user, patrol user, VIP user, blocklist user, other users, custom user 1, custom user 2
<b>Capacity</b>	
Face Image Capacity	10,000
User Capacity	10,000
Card Capacity	10,000
Record Capacity	300000
<b>Port</b>	
RS-485	1
Wiegand	1 × input/ output
USB	1 × USB2.0 port
Network Port	1 × 10 Mbps/100 Mbps Ethernet port
Alarm Input	1 × switch quantity
Alarm Output	1
Alarm Linkage	Yes
Exit Button	1
Door Status Detection	1
Lock Control	1
Power Output Port	1 ; DC Power Supply: max 12V 1A; POE: max 12V 0.5A
<b>Alarm</b>	
Anti-pass Back	Yes
Tamper Alarm	Yes
Duress Alarm	Yes
Door Sensor Timeout	Yes
Intrusion	Yes
Illegal Card Exceeding Threshold	Yes
<b>General</b>	
Power Adapter	Optional
Power Supply	12 VDC, 2 A PoE standard
Protection	IP65
Power Consumption	≤24 W

Product Dimensions	155.0 mm × 57.5 mm × 24.8 mm (6.10" × 2.26" × 0.98") (H×W×T)
Packaging Dimensions	99.0 mm × 118.0 mm × 196.0 mm (3.90" × 4.65" × 7.72") (H×W×T)
Transport Package Dimensions	273.0 mm × 422.0 mm × 720.0 mm (10.75" × 16.61" × 28.35") (H×W×T)
Operating Temperature	-30 °C to +45 °C (-22 °F to +113 °F)
Operating Humidity	0%-90%(RH), non-condensing
Operating Altitude	0 m- 1300 m (0 ft- 4265.09 ft)
Operating Environment	Indoor;Outdoor
Gross Weight	0.5 kg (1.10 lb)
Accessory	Wall-mounted bracket (standard)
Installation	Wall Mount;Floor Bracket Mount;Turnstile Mount

## Ordering Information

Type	Model	Description
Face Recognition Access Controller	DHI-ASI3103F-MEPW	Dahua QR Code,Face Recognition,Card Swiping,Remote Face Recognition Access Controller

## Installation



# DHI-ASI3103F-MEPW

## Dimensions (mm[inch])

