

NVR0801-S3

8 Channel Smart 1U 1HDD Network Video Recorder



- Smart H.265+/H.265/Smart H.264+/H.264 decoding format
- Max. decoding capability: 6 × 1080p@30 fps. Supports adaptive decoding
- AI by camera: perimeter protection, and SMD Plus
- Connected to the third-party network cameras
- Security baseline 2.1

Series Overview

POLICEtech NVR is easy to install, cost effective and compatible with a wide variety of third-party devices, providing a great solution for small and medium surveillance systems. It is ideal for home safety, supermarkets, warehouses, educational institutions, and financial institutions.

Functions

Perimeter Protection by Camera

Automatically filters out false alarms caused by animals, rustling leaves, bright lights, etc. Enables system to act secondary recognition for the targets. Improves alarm accuracy.

SMD Plus by Camera

With intelligent algorithm, POLICEtech Smart Motion Detection technology can categorize the targets that trigger motion detection and filter the motion detection alarm triggered by non-concerned targets to realize effective and accurate alarm.

AI Search

With AI search, operators can search for videos by the attributes of targets and event types, which helps them to quickly and efficiently investigate where and when targets appeared and events took place.

Technical Specification

System

Main Processor	Industrial-grade embedded processor
Operating System	Embedded Linux
Operating Interface	Web; Local GUI

AI

AI by Camera	Perimeter protection; SMD Plus
--------------	--------------------------------

Perimeter Protection

Perimeter Performance of AI by Camera (Number of Channels)	4
--	---

SMD Plus

SMD Plus by Camera	4-channel SMD Plus (AI by camera), secondary filtering for human and motor vehicle SMD Plus, reducing false alarms caused by leaves, rain and lighting condition change
--------------------	---

Audio and Video

Access Channel	8 channels
Network Bandwidth	Access: 80 Mbps; Storage: 80 Mbps; Forward: 60 Mbps
Resolution	12MP; 8MP; 5MP; 4MP; 3MP; 2MP; 720p; D1
Decoding Capability	1-channel 12MP@30 fps; 1-channel 8MP@30 fps; 2-channel 5MP@30 fps; 3-channel 4MP@30 fps; 6-channel 1080p@30 fps
Video Output	1 × VGA, 1 × HDMI (simultaneous)
Multi-screen Display	1, 4, 8, 9 views
Third-party Camera Access	Onvif

Compression Standard

Video Compression	Smart H.265; H.265; Smart H.264; H.264
Audio Compression	PCM; G711A; G711U; G726

Network

Network Protocol	HTTP; HTTPS; TCP/IP; IPv4; RTSP; UDP; NTP; DHCP; DNS; SMTP; UPnP; IP Filter; DDNS; Alarm Server; IP Search (Supports Dahua IP camera, DVR, NVS, etc.); P2P
Mobile Phone Access	Android; iOS
Interoperability	ONVIF (profile T/S/G); CGI; SDK
Browser	Chrome; IE 9 or later; Firefox

Recording Playback

Multi-channel Playback	Up to 8 channels
Record Mode	Manual record; alarm record; motion detection record; schedule record
Storage Method	Local HDD and network
Backup Method	USB device
Playback Function	1. Play; pause; stop; fast forward; fast backward; rewind; play by frame 2. Full screen; backup (video clip/file); partially zoom in; audio on/off

Alarm

General Alarm	Motion detection; privacy masking; video loss; PIR alarm
Anomaly Alarm	Camera offline; storage error; disk full; IP conflict; MAC conflict; login lock; cyber security exception
Intelligent Alarm	Perimeter protection; SMD Plus
Alarm Linkage	Recording; snapshot; buzzer; log; preset; email; tour

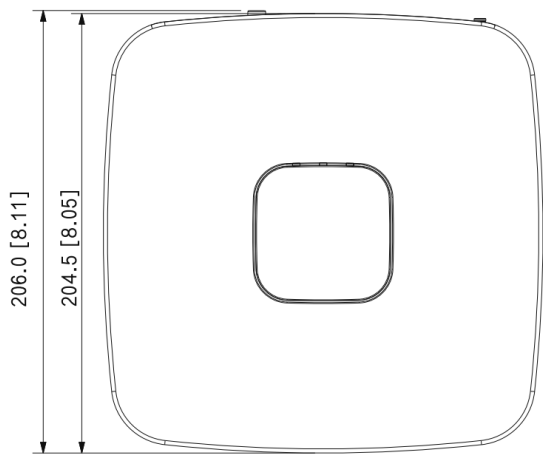
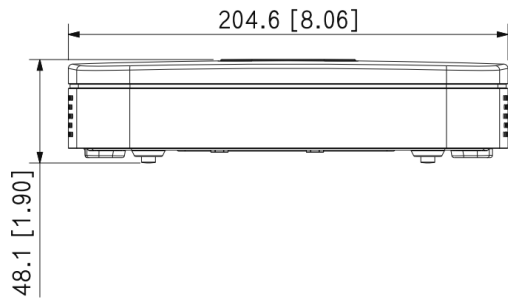
Port

Audio Input	1
Audio Output	1
HDD Interface	1 SATA port, up to 16 TB. The maximum HDD capacity varies with environment temperature
USB	2 rear USB 2.0 ports
HDMI	1
VGA	1
Network Port	1 × RJ-45, 10/100 Mbps self-adaptive Ethernet port

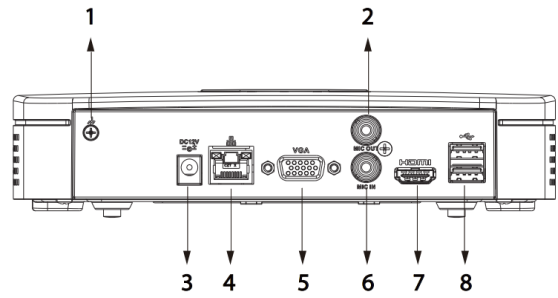
General

Power Supply	12 VDC, 1.5 A
Power Consumption	Total output of NVR is ≤ 10 W (without HDD)
Net Weight	0.42 kg (0.93 lb)
Gross Weight	1.03 kg (2.27 lb)
Product Dimensions	204.6 mm × 206.4 mm × 45.6 mm (8.06" × 8.13" × 1.80") (W × L × H)
Packaging Dimensions	96 mm × 364 mm × 261 mm (3.78" × 14.33" × 10.28") (W × L × H)
Operating Temperature	-10 °C to +55 °C (14 °F to +131 °F)
Operating Humidity	10%–93% (RH)
Installation	Rack or desktop
Certifications	CE: EN62368-1; EN55032; EN55024; EN55035; EN61000-3-2; EN61000-3-3; EN50130-4 FCC: Part 15 Subpart B

Dimensions (mm[inch])



Panels



- | | |
|---------------|----------------------------|
| 1 Ground | 2 AUDIO OUT, RCA Connector |
| 3 Power Input | 4 Network Port |
| 5 VGA Port | 6 AUDIO IN, RCA Connector |
| 7 HDMI Port | 8 USB Ports |