

# IPC-SD425GB-PV1

4MP 25x Starlight IR WizSense Network PTZ Camera



Launched by POLICEtech, WizSense is a series of AI products and solutions that adopt independent AI chip and deep learning algorithm. It focuses on human and vehicle with high accuracy, enabling users to fast act on defined targets. Based on POLICEtech's advanced technologies, WizSense provides intelligent, simple and inclusive products and solutions.

## Series Overview

The Three-in-One Camera (TiOC) solution combines 24/7 monitoring, active deterrence and real-time alarms with artificial intelligence into one smart, innovative solution. TiOC PTZ cameras adopt auto-tracking 3.0 technology, greatly improving the monitoring scope of key targets. For distributors and installers, it not only saves time, but also reduces cost.

## Functions

### Starlight Technology

With advanced image processing technology and optical technology, POLICEtech Starlight technology can provide clear colorful video in the environment of low illuminance. It widely applies to various environments of low illuminance.

### Smart H.265+ & Smart H.264+

With advanced scene-adaptive rate control algorithm, POLICEtech smart encoding technology realizes the higher encoding efficiency than H.265 and H.264, provides high-quality video, and reduces the cost of storage and transmission.

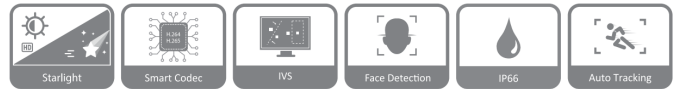
### Perimeter Protection

Automatically filters out false alarms caused by animals, rustling leaves, bright lights, and more, and uses secondary recognition during target detection to improve alarm accuracy.

### Face Detection

POLICEtech Face Detection technology can detect the face in the image. With deep learning algorithm, the technology supports detecting, tracking, capturing and selecting the best face image, and then outputs face snapshot.

- 1/2.8" 4 MP STARVIS™ CMOS.
- 25x optical zoom.
- Starlight technology.
- Max. 25/30fps@4M.
- IR distance up to 100 m.
- Auto-tracking 3.0.
- Perimeter protection.
- Face detection.
- SMD 4.0.
- IP66.
- Full-color illuminator; red and blue warning light.



### Protection (IP66, TVS 6000 V)

IP66, TVS 6000 V lightning proof, surge protection, and voltage transient protection.

### Auto Tracking

This feature controls the pan, tilt and zoom actions of the camera to automatically track an object in motion, to keep it in view of the camera. Tracking can be triggered manually or automatically by defined rules. Once a rule is triggered, the camera can zoom in and track the defined target automatically.

### SMD 4.0

POLICEtech Smart Motion Detection technology works with intelligent algorithms to classify targets that trigger motion detection alarms. It filters out objects that are not targets, such as small and large animals, to avoid triggering false alarms. With an AI NVR, Quick Pick technology becomes available, allowing you to easily search for and pick out human and vehicle targets from SMD event videos, prioritizing the highest matches.

### Technical Specification

#### Camera

Image Sensor	1/2.8" CMOS
Pixel	4 MP
Max. Resolution	2560 (H) × 1440 (V)
ROM	4 GB
RAM	1 GB
Electronic Shutter Speed	1/1 s–1/30,000 s
Scanning System	Progressive
Min. Illumination	Color: 0.005 lux@F1.6 B/W: 0.0005 lux@F1.6 0 lux@F1.6 (Illuminator on)
Illumination Distance	100 m (328.08 ft) (IR) 50 m (164.04 ft) (White light)
Illuminator On/Off Control	Zoom Prio; Manual; Auto; Off
Illuminator Number	2 (IR) 2 (Dual light fusion)

#### Lens

Focal Length	5 mm–125 mm								
Max. Aperture	F1.6–F3.6								
Field of View	H: 51.9°–3.0°; V: 39.7°–2.2°; D: 63.1°–3.7°								
Optical Zoom	25x								
Focus Control	Auto; semi-auto; manual								
Close Focus Distance	0.1 m–0.5 m (0.33 ft–1.64 ft)								
Iris Control	Auto; manual								
DORI Distance	<table border="1"> <thead> <tr> <th>Detect</th> <th>Observe</th> <th>Recognize</th> <th>Identify</th> </tr> </thead> <tbody> <tr> <td>2500 m (8208.10 ft)</td> <td>987.5 m (3239.83 ft)</td> <td>500 m (1640.42 ft)</td> <td>250 m (820.21 ft)</td> </tr> </tbody> </table>	Detect	Observe	Recognize	Identify	2500 m (8208.10 ft)	987.5 m (3239.83 ft)	500 m (1640.42 ft)	250 m (820.21 ft)
	Detect	Observe	Recognize	Identify					
2500 m (8208.10 ft)	987.5 m (3239.83 ft)	500 m (1640.42 ft)	250 m (820.21 ft)						
<p>*DORI (Detect, Observe, Recognize, Identify) is a standard system (EN-62676-4) for defining the ability of a person viewing the video to distinguish persons or objects within a covered area. The numbers in this table do not reflect intelligent function distances. For intelligent function distances, refer to installation and commissioning manual/project design tool.</p>									

#### PTZ

Pan/Tilt Range	Pan: 0° to 360° endless Tilt: –15° to +90°, auto flip 180°
Manual Control Speed	Pan: 0.1°/s–200°/s Tilt: 0.1°/s–120°/s
Preset Speed	Pan: 240°/s; Tilt: 200°/s
Preset	300
Tour	8 (up to 32 presets per tour)
Pattern	5
Scan	5
Power-off Memory	Yes

Idle Motion	Pattern; Preset; Scan; Tour
-------------	-----------------------------

#### Intelligence

IVS (Perimeter Protection)	Tripwire; intrusion; crossing fence detection; loitering detection; abandoned/missing object; fast moving; parking detection; people gathering; vehicle/human alarm classification; linkage tracking
Face Detection	Supports face detection, face bounding box, capturing snapshots, uploading face snapshots, enhancing face images, and selecting a preferred image among a group of snapshots. Attribute Extraction is also supported, where 6 attributes and 8 expressions can be detected. The attributes are gender, age, glasses, mask, mustache and expressions. The expressions are angry, sad, hate, scared, surprised, calm, happy and confused. Face cutout is also offered, where you can cutout one face at a time and customize the size to be a one-inch photo. The supported methods for capturing snapshots are real-time capturing, quality first, and selecting a preferred image among a group of snapshots.
Auto Tracking	Yes
SMD	SMD 4.0
Acupick	Uses deep learning algorithms and works with back-end devices to accurately match targets, such as people and motor vehicles, and search through live and recorded videos to quickly locate targets.
Auto Patrol	It triggers the IVS rule when a target is detected and makes the camera link with the PTZ to rotate to the position of the target and patrol based on its presets.

#### Active Deterrence

Light Warning	Red and blue warning light. They can be configured to flash for 5 to 30 seconds with a high, medium or low frequency.
Sound Warning	Offers 11 types of sound alarms, and supports importing custom sound alarms.

#### Video

Video Compression	H.264H;H.264B;Smart H.265+;H.265;MJPEG(Sub Stream);Smart H.264+;H.264M
Streaming Capability	3 streams
Resolution	4M (2560 × 1440); 3M (2048 × 1536); 3M (2304 × 1296); 1080p (1920 × 1080); 1.3M (1280 × 960); 720p (1280 × 720); D1 (704 × 576/704 × 480); VGA (640 × 480); CIF (352 × 288/352 × 240)
Video Frame Rate	Main stream: 4M/3M/1080p/1.3M/720p@ (1–25/30 fps) Sub stream 1: D1/CIF/VGA@(1–25/30 fps) Sub stream 2: 1080p/1.3M/720p@(1–25/30 fps)
Bit Rate Control	CBR/VBR
Video Bit Rate	H264: 96 Kbps–14848 Kbps H265: 38 Kbps–8960 Kbps
Day/Night	Auto (ICR)/Color/B/W
BLC	Yes
WDR	120 dB
HLC	Yes
White Balance	Auto/Indoor/Outdoor/Tracking/Manual/Sodium lamp/Natural light/Street lamp
Gain Control	Auto/Manual
Noise Reduction	2D/3D

Motion Detection	Yes
Region of Interest (RoI)	Yes
Image Stabilization	Electronic (EIS)
Defog	Electronic
Digital Zoom	16x
Image Rotation	180°
Privacy Masking	Up to 24 areas can be set, with up to 8 areas in the same view; multiple colors available
S/N Ratio	≥ 55 dB

Audio

Audio Compression	PCM; G.711a; G.711Mu; G.726; MPEG2-Layer2; G722.1; G729; G723
-------------------	---

Network

Network Port	RJ-45 (10/100 Base-T)
Network Protocol	FTP; RTMP; IPv6; Bonjour; IPv4; DNS; RTCP; PPPoE; NTP; RTP; 802.1x; HTTPS; SNMP; TCP/IP; DDNS; UPnP; NFS; ICMP; UDP; IGMP; HTTP; SSL; DHCP; SMTP; QoS; RTSP; ARP
Interoperability	CGI; SDK; ONVIF (Profile S&G&T); P2P
Streaming Method	Unicast/Multicast
User/Host	20 (total bandwidth: 64 M)
Storage	Micro SD card (512 GB); FTP/SFTP; NAS
Browser	IE 9 and later versions Chrome 41 and later versions Firefox 50 and later versions Safari 10 and later versions
Management Software	DSS pro; DMSS; NVR
Mobile Client	iOS; Android

Certification

Certifications	CE: EN55032/EN55024/EN50130-4 FCC: Part15 subpartB, ANSI C63.4-2014
----------------	--

Port

Audio Input	1 channel
Audio Output	1 channel
Alarm Linkage	Capture; recording; send email; preset; pattern; tour; alarm digital input; audio; warning light
Alarm Event	Motion/tampering detection; audio detection; network disconnection detection; IP conflict detection; memory card state detection; memory space detection
Alarm I/O	2/1
Audio I/O	1/1

Power

Power Supply	12 VDC/3 A ± 10% PoE+ (802.3at)
Power Consumption	Basic: 7.0 W Max.: 13 W (illuminator+heater+PTZ+speaker)
Net Weight	2.4 kg (5.29 lb)
Gross Weight	3.9 kg (8.60 lb)

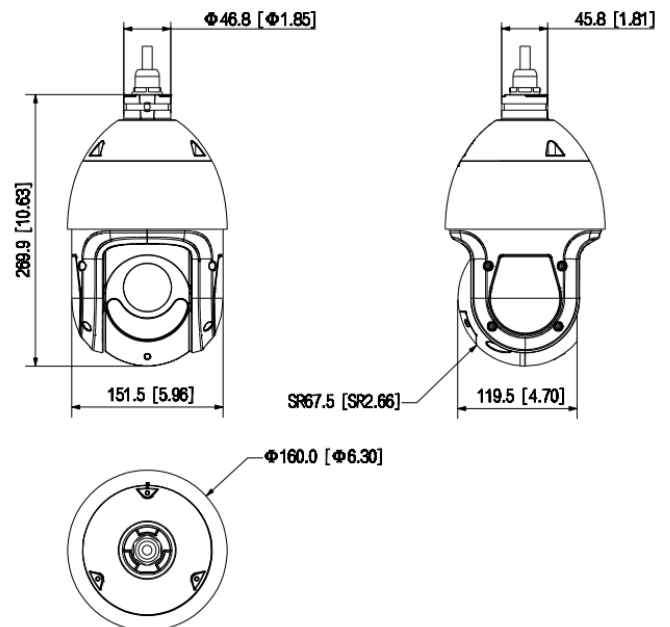
Environment

Operating Temperature	-40 °C to +65 °C (-40 °F to +149 °F)
Operating Humidity	≤95%
Protection	IP66; TVS 6000 V lightning proof; surge protection; voltage transient protection

Structure

Product Dimensions	269.9 mm × Φ160.0 mm (10.59" × Φ6.30")
Net Weight	2.6 kg (5.73 lb)
Gross Weight	4 kg (8.82 lb)

Dimensions (mm [inch])



Design and specifications are subject to change without notice.

Pictures in the document are for reference only, and the actual product shall prevail.