

SD825MB-HNR

8MP 25x Smart Dual Light WizSense Network PTZ Camera



Launched by POLICEtech, WizSense is a series of AI products and solutions that adopt independent AI chip and deep learning algorithm. It focuses on human and vehicle with high accuracy, enabling users to fast act on defined targets. Based on POLICEtech's advanced technologies, WizSense provides intelligent, simple and inclusive products and solutions.

Series Overview

With its powerful optical zoom and precise pan-and-tilt capabilities, the PTZ camera offers a comprehensive solution for long-distance outdoor video surveillance. Its smart dual light and AI-ISP technology ensure that images are clear and vibrant both at night and in low-light conditions. This advanced combination significantly improves nighttime surveillance, making it easier to capture critical details that traditional night vision systems might miss.

Functions

Smart Dual Light

POLICEtech Smart Dual Light technology adopts smart algorithm to detect targets. Usually, the IR illuminator is on at night; when the target appears in the monitoring area, the white light is on, and the camera records the full-color video and information of key events. That is, the camera links snapshot and video with full-color image. When the target is out of the monitoring area, the white light is off and the IR illuminator is on, which reduces light pollution efficiently.

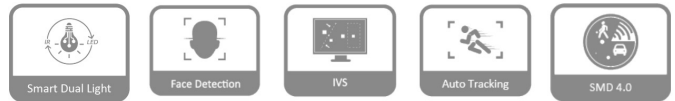
Face Detection

Supports 6 attributes and 8 expressions: Gender, age, glasses, face mask, beard and expressions (anger, sadness, disgust, fear, surprise, calm, happiness, and confusion). It also supports face cutout settings: Face, and single inch photo. Three snapshot methods are also featured: Real-time snapshot, priority snapshot, and quality priority.

IVS

With advanced video algorithm, POLICEtech IVS technology supports intelligent functions, such as tripwire and intrusion.

- 1/2.8" 8Megapixel STARVIS™ CMOS
- 25x optical zoom
- Starlight technology
- Max. 25/30fps@8M
- IR distance up to 100 m
- Warm light distance up to 100 m
- Perimeter protection
- Face detection
- SMD 4.0
- IP67



Auto Tracking

This feature controls the pan, tilt and zoom actions of the camera to automatically track an object in motion, to keep it in view of the camera. Tracking can be triggered manually or automatically by defined rules. Once a rule is triggered, the camera can zoom in and track the defined target automatically.

SMD4.0

POLICEtech Smart Motion Detection technology works with intelligent algorithms to classify targets that trigger motion detection alarms. It filters out objects that are not targets, such as small and large animals, to avoid triggering false alarms.

Protection (IP67, TVS 6000 V)

IP67, TVS 6000 V lightning proof, surge protection, and voltage transient protection.

Technical Specification

Camera	
Image Sensor	1/2.8" CMOS
Pixel	8 MP
Max. Resolution	3840 (H) × 2160 (V)
ROM	4 GB
RAM	2 GB
Electronic Shutter Speed	1 s–1/30,000 s
Scanning System	Progressive
Min. Illumination	0.005 lux@F1.6 (Color, 30 IRE); 0.0005 lux@F1.6 (B/W, 30 IRE); 0 lux (illuminator on)
Illumination Distance	100 m (328.08 ft) (IR); 100 m (328.08 ft) (Warm light)
Illuminator On/Off Control	Zoom Prio; Manual; Auto; Off
Illuminator Number	2 (IR); 2 (Warm light); 2 (Dual-core light)

Lens	
Focal Length	5 mm–125 mm
Max. Aperture	F1.6–F3.6
Field of View	H: 57.73°–3.73°; V: 33.6°–2.08°; D: 64.92°–4.27°
Optical Zoom	25×
Focus Control	Auto; semi-auto; manual
Close Focus Distance	0.1 m–1.5 m (0.33 ft–4.92 ft)
Iris Control	Auto

DORI Distance	Lens	Detect	Observe	Recognize	Identify
	W	137.9 m (452.52 ft)	55.2 m (181.01 ft)	27.6 m (90.50 ft)	13.8 m (45.25 ft)
T	3,448.3 m (11,313.10 ft)	1,379.3 m (4,525.24 ft)	689.7 m (2,262.62 ft)	344.8 m (1,131.31 ft)	

*DORI (Detect, Observe, Recognize, Identify) is a standard system (EN-62676-4) for defining the ability of a person viewing the video to distinguish persons or objects within a covered area. The numbers in this table do not reflect intelligent function distances. For intelligent function distances, refer to installation and commissioning manual/project design tool.

PTZ	
Pan/Tilt Range	Pan: 0° to 360° endless; Tilt: –15° to +90°, auto flip 180°
Manual Control Speed	Pan: 0.1°–200°/s; Tilt: 0.1°–120°/s
Preset Speed	Pan: 0.1°–240°/s; Tilt: 0.1°–200°/s
Preset	300
Tour	8
Pattern	5
Scan	5

Power-off Memory	Yes
Idle Motion	Preset;Pattern;Tour;Scan

Intelligence	
IVS (Perimeter Protection)	Tripwire; intrusion; crossing fence detection; loitering detection; abandoned/missing object; fast moving; parking detection; people gathering; human alarm classification; linkage tracking
Face Detection	Supports face detection, optimization, capturing pictures, uploading high-quality face snapshots and enhancing face images. Attribute Extraction is also supported, where 6 attributes and 8 expressions can be detected. Face cutout is also offered, where you can cutout one face at a time and customize the size to be a one-inch photo. The supported methods for capturing snapshots are real-time capturing, quality first, and selecting a preferred image among a group of snapshots.
Smart Tracking	Auto Tracking 3.0
SMD	SMD 4.0
AcuPick	Uses deep learning algorithms and works with backend devices to accurately match targets, such as people and motor vehicles, and search through live and recorded videos to quickly locate targets
Auto Patrol	It triggers the IVS rule when a target is detected and makes the camera link with the PTZ to rotate to the position of the target and patrol based on its presets

Video	
Video Compression	Smart H.265+;H.265;Smart H.264+;H.264B;H.264M;H.264H;MJPEG(Sub Stream 1)
Streaming Capability	3 streams
Resolution	8M (3840 × 2160); 4M (2560 × 1440); 3M (2304 × 1296); 1080p (1920 × 1080); 960p (1280 × 960); 720p (1280 × 720); D1 (704 × 576/704 × 480); VGA (640 × 480); CIF (352 × 288/352 × 240)
Video Frame Rate	Main stream: 8M/4M/3M/1080p/1.3M/720p@(1–25/30 fps) Sub stream 1: D1/VGA/CIF@(1–25/30 fps) Sub stream 2: 1080p/1.3M/720p@(1–25/30 fps)
Bit Rate Control	CBR/VBR
Video Bit Rate	H264: 128 kbps–16,384 kbps H265: 51 kbps–11,776 kbps
Day/Night	Auto (ICR)/Color/B/W
BLC	Yes
WDR	DWDR
HLC	Yes
White Balance	Auto; indoor; outdoor; ATW; manual; sodium lamp; natural light; street lamp
Gain Control	Auto; manual; Gain priority
Noise Reduction	2D NR; 3D NR
Motion Detection	Yes
Region of Interest (RoI)	Yes
Image Stabilization	Electronic Image Stabilization (EIS)

Defog	Electronic
Digital Zoom	16×
Image Rotation	180°
Privacy Masking	Up to 24 areas can be set, with up to 8 areas in the same view
S/N Ratio	≥55 dB

Audio

Audio Compression	PCM, G.711A, G.711Mu, G.726, MPEG2-Layer2, G.722.1, G.729, G.723
-------------------	--

Network

Network Port	1 × RJ-45 (10/100 Base-T)
Network Protocol	HTTP;HTTPS;TCP/IP;IPv4;RTSP;UDP;SMTP;NTP;DHCP;DNS;DDNS;IPv6;802.1x;SSL;QoS;FTP;UPnP;ICMP;SNMP;IGMP;ARP;RTP;RTCP;PPPoE;RTMP;Bonjour;SMB;NFS
Interoperability	ONVIF (Profile S & Profile G & Profile T);CGI;SDK
Streaming Method	Unicast/Multicast
User/Host	20 (total bandwidth: 64 M)
Storage	Micro SD card (512 GB); FTP/SFTP; NAS
Browser	web5.0: IE 9 and later versions Chrome 41 and later versions Firefox 50 and later versions iOS 10 and later versions
Management Software	DMSS;DSS Pro
Mobile Client	iOS;Android

Certification

Certifications	CE: EN55032/EN55024/EN50130-4
----------------	-------------------------------

Port

Audio Input	1 channel (LINE IN, bare wire);1 channel
Audio Output	1 channel (LINE OUT,bare wire);1 channel
Alarm Input	2
Alarm Output	1 channel
Alarm Linkage	Capture; recording; send email; preset; tour; pattern; alarm digital output
Alarm Event	Motion/Tampering detection; audio detection; network disconnection detection; IP conflict detection; memory card state detection; memory space detection
Alarm I/O	2/1
Audio I/O	1/1

Power

Power Supply	12 VDC, 3 A ± 10% PoE (802.3at)
Power Consumption	DC: Basic: 8 W; Max: 20 W (illuminator + PTZ) PoE: Basic: 11 W; Max: 23 W (illuminator+PTZ)

Power Adapter	Optional
---------------	----------

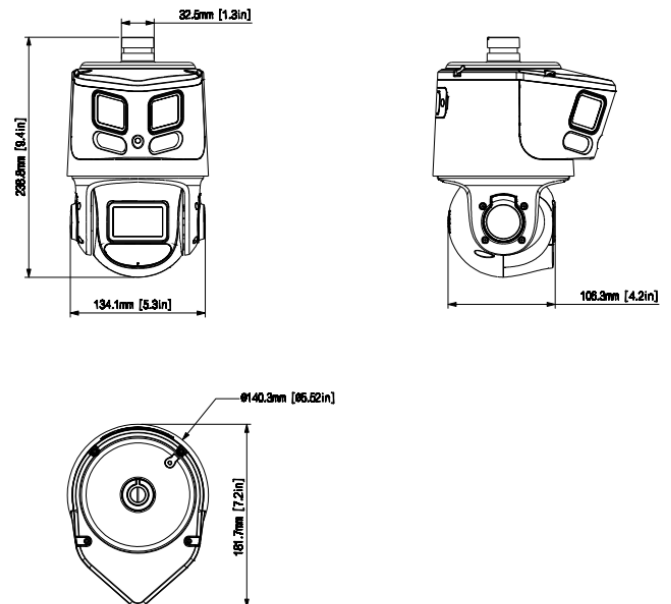
Environment

Operating Temperature	-40 °C to +70 °C (-40 °F to +158 °F)
Operating Humidity	≤95%
Protection	IP67;TVS 6000 V lightning proof; surge protection; voltage transient protection

Structure

Product Dimensions	270.4 mm × Φ160 mm (10.65" × Φ6.30")
Net Weight	2.4 kg (5.29 lb)
Gross Weight	3.9 kg (8.60 lb)

Dimensions (mm[inch])



Design and specifications are subject to change without notice.

Pictures in the document are for reference only, and the actual product shall prevail.