

VDO2001G-WP

IP & Wi-Fi Villa Door Station



- Thin lightweight design.
- Supports IR illumination and night vision.
- Two-way audio and voice call through app.
- Can be managed through the management platform; support voice call between App and the door station.
- Card unlock, unlock on the indoor monitor, and remote unlock through the App.
- Supports IP65 (Silicone sealant is needed. For details, see the quick start guide).
- Supports 10000 cards.
- Supports standard PoE power supply.
- Controls two locks.
- Supports wireless network.



Technical Specification

System

Main Processor	Embedded Processor
Operating System	Embedded Linux OS
Button Type	Mechanical
Number of Buttons	1
Interoperability	ONVIF; CGI
Network Protocol	IPv4; RTSP; UDP; DNS; P2P; RTP; TCP; SIP

Basic

Camera	1/2.8" 2 MP CMOS high definition, low illumination/WDR/color/IR
Field of View	H: 125°; V: 71°; D: 142°
WDR	120 dB
Noise Reduction	3D NR
Video Compression	H.264; H.265
Video Resolution	Main stream: 720p, WVGA, D1, CIF Sub stream: 1080p, WVGA, D1, QVGA, CIF
Video Frame Rate	PAL: 25 fps; NTSC: 30 fps
Video Bit Rate	256 Kbps–8 Mbps
Light Compensation	Auto IR
Day/Night	Auto(ICR)/Color/B/W;Color/B/W
Audio Compression	G.711a; G.711u; PCM
Audio Input	1
Audio Output	Built-in speaker

Audio Mode	Two-way audio
Audio Enhancement	Echo suppression/digital noise reduction
Audio Bit Rate	16 KHz, 16 Bit

Function

Communication Mode	Full digital
Unlock Mode	Card; app; indoor monitor
Card Type	IC card
Auto Snapshot	Yes
Leave Videos	Yes (SD card is inserted in the indoor monitor or door station)
Wi-Fi	Yes
Wireless Standard	IEEE802.11b/802.11g/802.11n
Wireless Frequency Range	2.4GHz
Storage	Supports Micro SD card (up to 256 GB)
Web Configuration	Yes

Performance

Card Reading Distance	0 cm–4.3 cm (0"–1.69")
Issue Card Locally	Yes
Casing Material	PC + Acrylic

Capacity

Card Capacity	10000
---------------	-------

Port

RS-485	1
Alarm Input	1
Alarm Output	1
Power Output	1 port, 12 V and 200 mA
Exit Button	1
Door Status Detection	1
Lock Control	1 port, normally closed by default
Network Port	1 × 10/100 Mbps network port

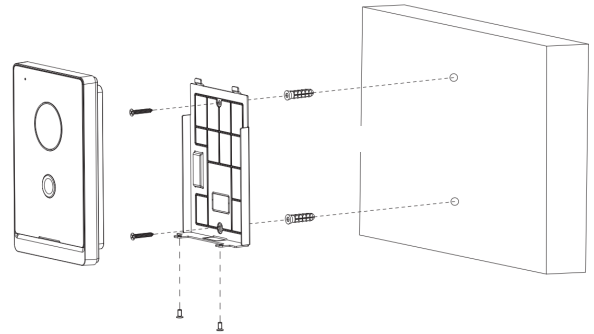
Alarm

Tamper Alarm	Yes
--------------	-----

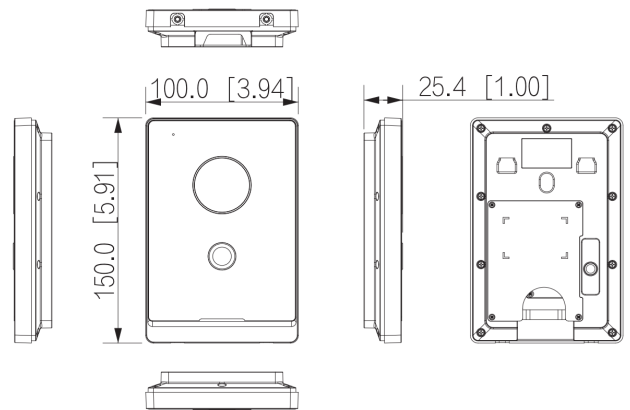
General

Appearance Color	Black plate and silvery frames
Power Supply	12 VDC, 1 A Standard PoE
Power Adapter	Optional
Installation	Surface Mount
Certifications	CE
Accessory	Included: Alarm power ribbon cable, brackets
Product Dimensions	150.0 mm × 100.0 mm × 25.4 mm (5.91" × 3.94" × 1.00")
Protection	IP65 (silicone sealant is needed, see the quick start guide)
Operating Temperature	-30 °C to +60 °C (-22 °F to +140 °F)
Operating Humidity	10%–90% (RH), non-condensing
Operating Environment	Outdoor
Operating Altitude	Beneath 3000 m (9842.52 ft)
Power Consumption	≤ 1 W (standby), ≤ 7 W (working)
Gross Weight	510 g (1.12 lb)
Anti-corrosion Level	Basic Protection

Installation



Dimensions (mm[inch])



Design and specifications are subject to change without notice.
 Pictures in the document are for reference only, and the actual product shall prevail.